

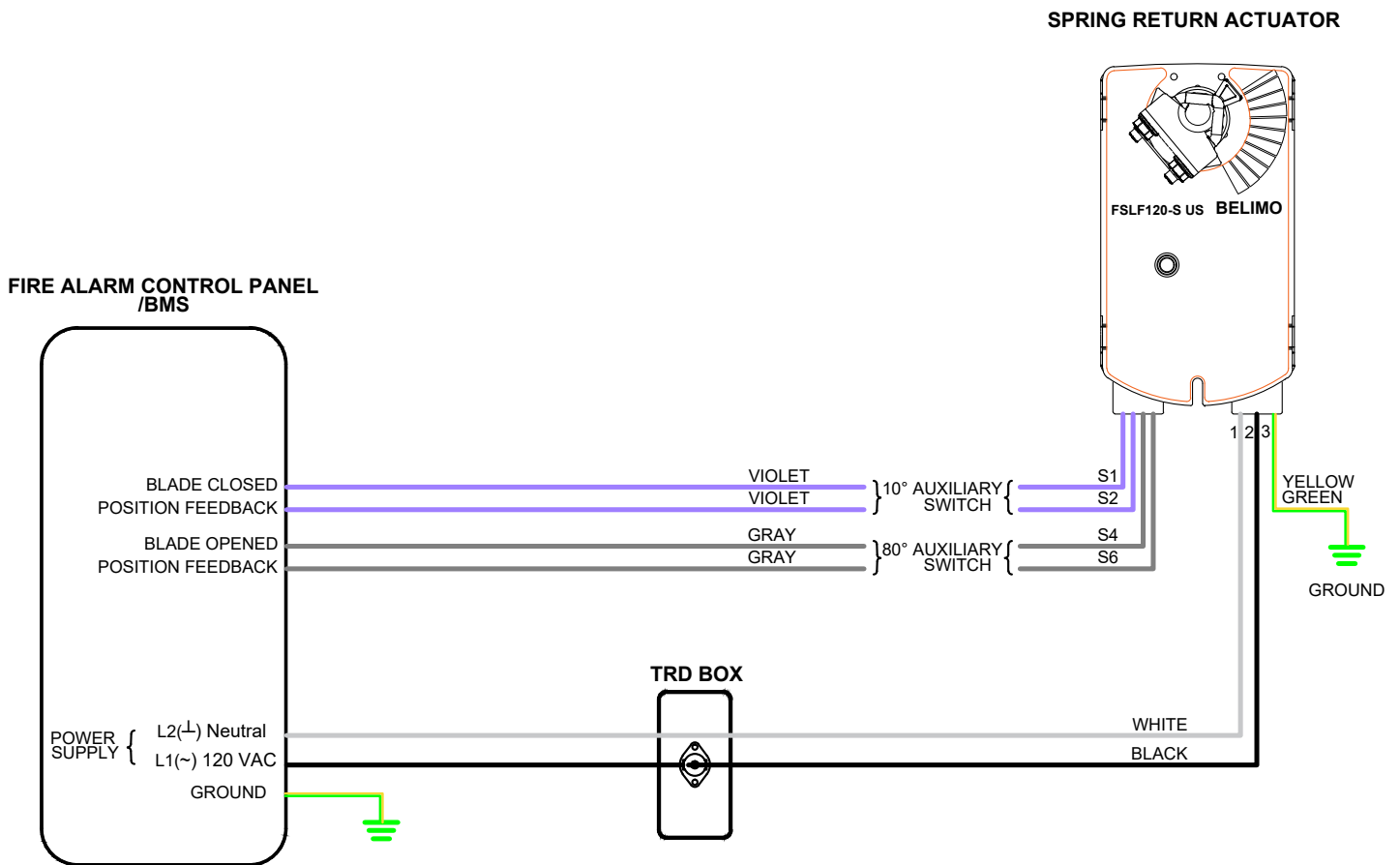
Actuator Model: FSLF120-S US with 2 built-in Auxiliary Switches

Power Supply: 120 VAC

Torque: 3.5 Nm

Applicable on following CVS-SAFE4 Damper Models: FD-MB-3V(M), FD-MB-3V-FA(M), FD-MB-3V-OW(M), FD-MB-AF(M), FD-MB-AF-FA(M), FD-MB-AF-OW(M), FDD-MB-3V(M), FDD-MB-3V-FA(M), FDD-MB-3V-OW(M), FDD-MB-AF(M), FDD-MB-AF-FA(M), FDD-MB-AF-OW(M), FSD-3V-211, -212, -231, -232, FSD-3V-FA-211, -212, FSD-3V-OW-211, -212, FSD-3V-CR-211, -212, -231, -232, FSD-AF-211, -212, -231, -232, FSD-AF-FA-211, -212, FSD-AF-OW-211, -212, FSD-RD-211, -212

Wiring Diagram



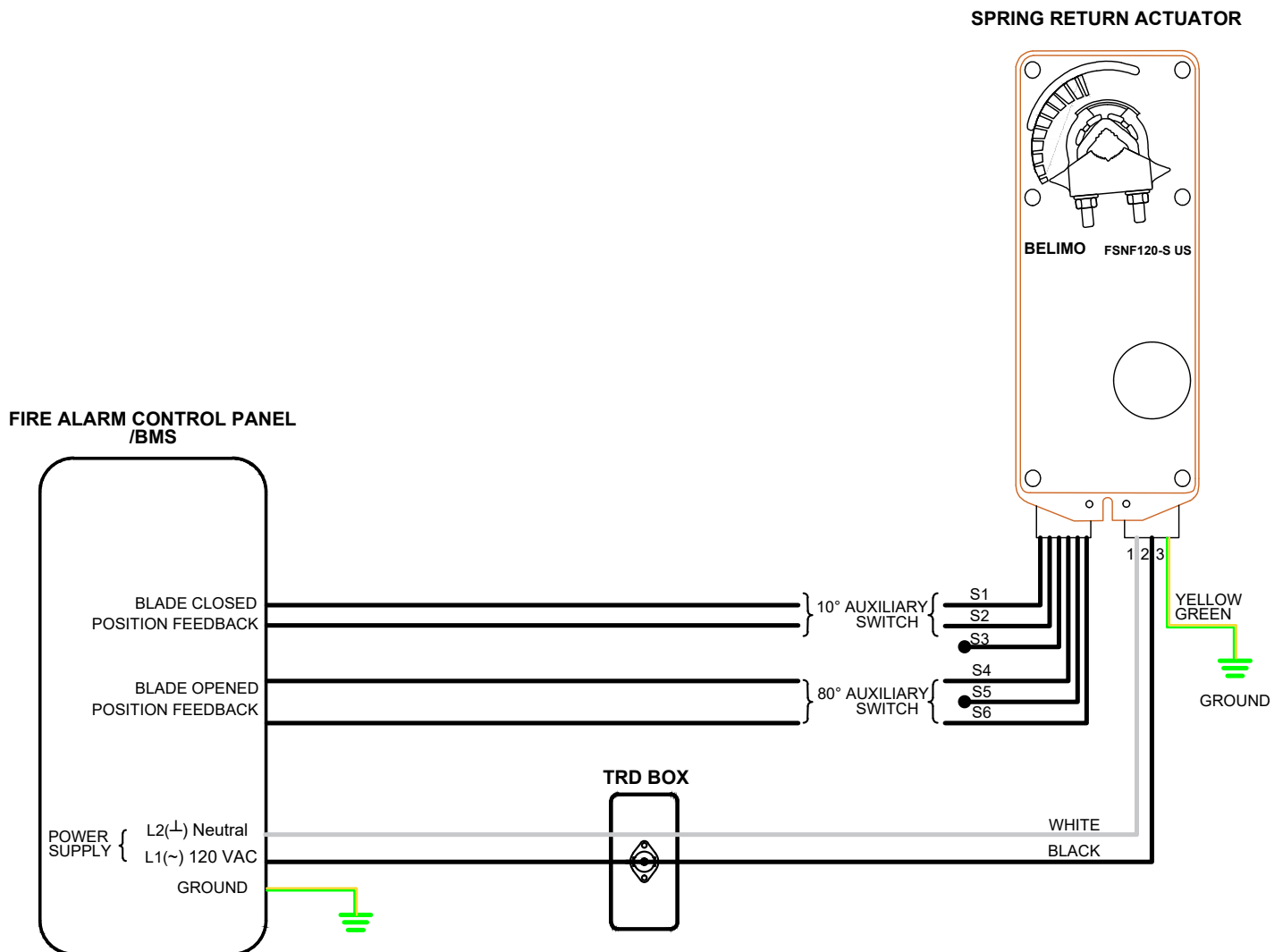
Actuator Model: FSNF120-S US with 2 built-in Auxiliary Switches

Power Supply: 120 VAC

Torque: 8 Nm

Applicable on following CVS-SAFE4 Damper Models: FD-MB-3V(M), FD-MB-3V-FA(M), FD-MB-3V-OW(M), FD-MB-AF(M), FD-MB-AF-FA(M), FD-MB-AF-OW(M), FDD-MB-3V(M), FDD-MB-3V-FA(M), FDD-MB-3V-OW(M), FDD-MB-AF(M), FDD-MB-AF-FA(M), FDD-MB-AF-OW(M), FSD-3V-211, -212, -231, -232, FSD-3V-FA-211, -212, FSD-3V-OW-211, -212, FSD-3V-CR-211, -212, -231, -232, FSD-AF-211, -212, -231, -232, FSD-AF-FA-211, -212, FSD-AF-OW-211, -212, FSD-RD-211, -212

Wiring Diagram



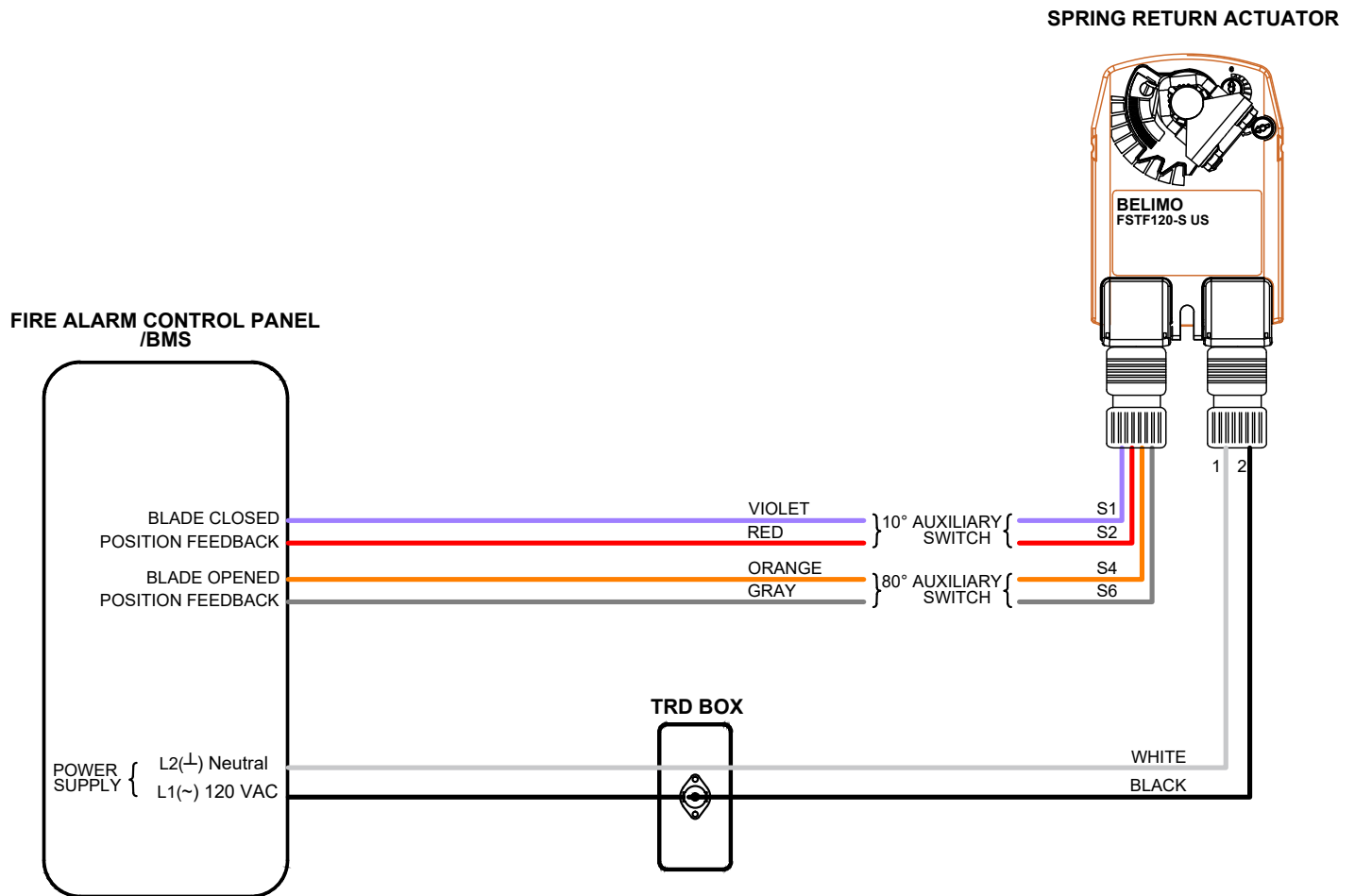
Actuator Model: FSTF120-S US with 2 built-in Auxiliary Switches

Power Supply: 120 VAC

Torque: 2 Nm

Applicable on following CVS-SAFE4 Damper Models: FD-MB-3V(M), FD-MB-3V-FA(M), FD-MB-3V-OW(M), FD-MB-AF(M), FD-MB-AF-FA(M), FD-MB-AF-OW(M), FDD-MB-3V(M), FDD-MB-3V-FA(M), FDD-MB-3V-OW(M), FDD-MB-AF(M), FDD-MB-AF-FA(M), FDD-MB-AF-OW(M), FSD-3V-211, -212, -231, -232, FSD-3V-FA-211, -212, FSD-3V-OW-211, -212, FSD-3V-CR-211, -212, -231, -232, FSD-AF-211, -212, -231, -232, FSD-AF-FA-211, -212, FSD-AF-OW-211, -212, FSD-RD-211, -212

Wiring Diagram



Actuator Model: MS4104F1210 with 2 built-in Auxiliary Switches

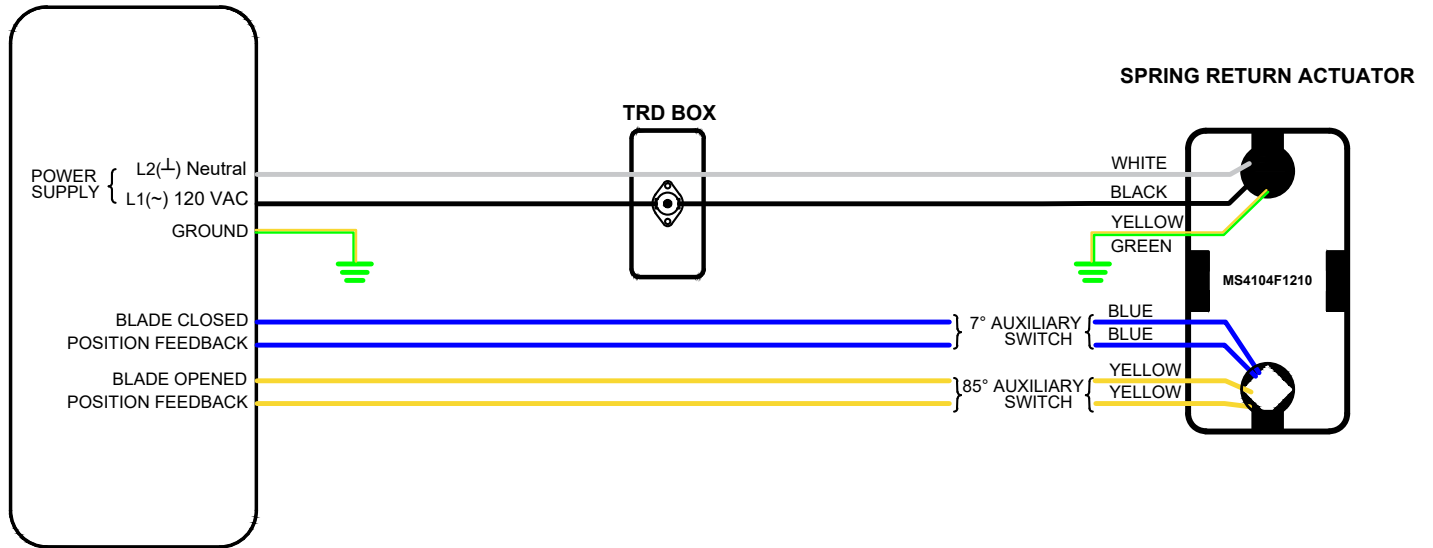
Power Supply: 120 VAC

Torque: 3.4 Nm

Applicable on following CVS-SAFE4 Damper Models: FD-MB-3V(M), FD-MB-3V-FA(M), FD-MB-3V-OW(M), FD-MB-AF(M), FD-MB-AF-FA(M), FD-MB-AF-OW(M), FDD-MB-3V(M), FDD-MB-3V-FA(M), FDD-MB-3V-OW(M), FDD-MB-AF(M), FDD-MB-AF-FA(M), FDD-MB-AF-OW(M), FSD-3V-211, -212, -231, -232, FSD-3V-FA-211, -212, FSD-3V-OW-211, -212, FSD-3V-CR-211, -212, -231, -232, FSD-AF-211, -212, -231, -232, FSD-AF-FA-211, -212, FSD-AF-OW-211, -212, FSD-RD-211, -212

Wiring Diagram

FIRE ALARM CONTROL PANEL /BMS



Actuator Model: MS4109F1210 with 2 built-in Auxiliary Switches

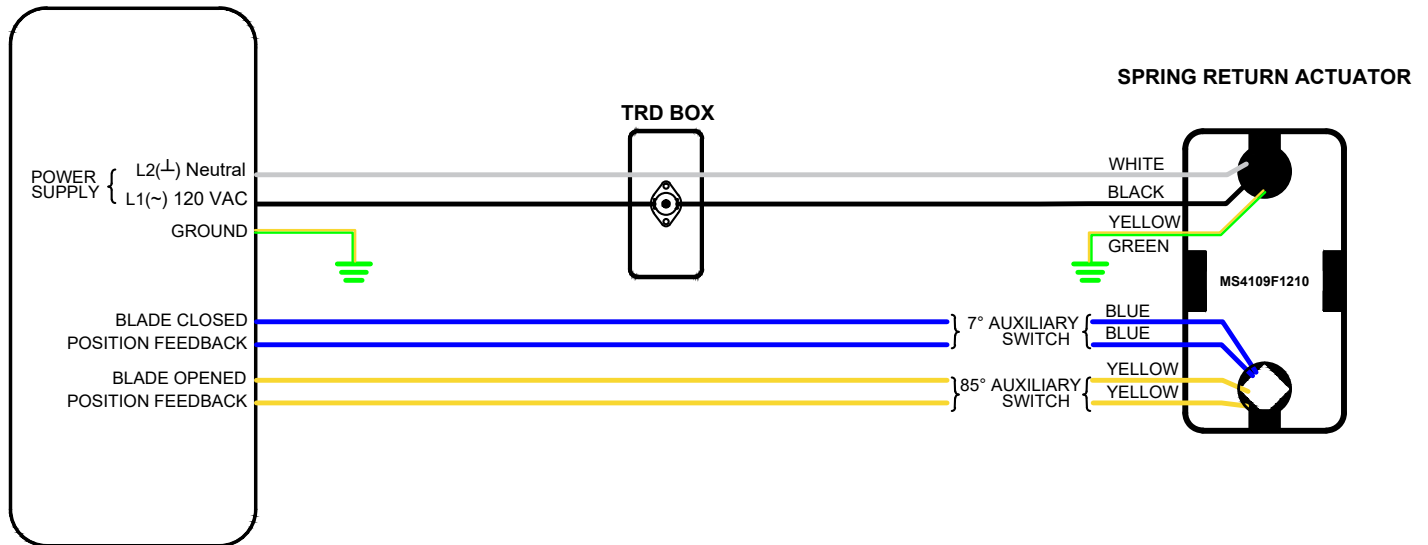
Power Supply: 120 VAC

Torque: 9 Nm

Applicable on following CVS-SAFE4 Damper Models: FD-MB-3V(M), FD-MB-3V-FA(M), FD-MB-3V-OW(M), FD-MB-AF(M), FD-MB-AF-FA(M), FD-MB-AF-OW(M), FDD-MB-3V(M), FDD-MB-3V-FA(M), FDD-MB-3V-OW(M), FDD-MB-AF(M), FDD-MB-AF-FA(M), FDD-MB-AF-OW(M), FSD-3V-211, -212, -231, -232, FSD-3V-FA-211, -212, FSD-3V-OW-211, -212, FSD-3V-CR-211, -212, -231, -232, FSD-AF-211, -212, -231, -232, FSD-AF-FA-211, -212, FSD-AF-OW-211, -212, FSD-RD-211, -212

Wiring Diagram

FIRE ALARM CONTROL PANEL /BMS



Actuator Model: MS4120F1210 with 2 built-in Auxiliary Switches

Power Supply: 120 VAC

Torque: 20 Nm

Applicable on following CVS-SAFE4 Damper Models: FD-MB-3V(M), FD-MB-3V-FA(M), FD-MB-3V-OW(M), FD-MB-AF(M), FD-MB-AF-FA(M), FD-MB-AF-OW(M), FDD-MB-3V(M), FDD-MB-3V-FA(M), FDD-MB-3V-OW(M), FDD-MB-AF(M), FDD-MB-AF-FA(M), FDD-MB-AF-OW(M), FSD-3V-211, -212, -231, -232, FSD-3V-FA-211, -212, FSD-3V-OW-211, -212, FSD-3V-CR-211, -212, -231, -232, FSD-AF-211, -212, -231, -232, FSD-AF-FA-211, -212, FSD-AF-OW-211, -212, FSD-RD-211, -212

Wiring Diagram

FIRE ALARM CONTROL PANEL /BMS

