

Reference:

Client:

Project:

Consultant:

Location:

Contractor:

Date:

Submitted by:



Manufacturing Excellence

### Model FD-MB-3V-OW(M)

Motorised, Multi-Blade Static Fire Damper  
Out-of-Wall/Floor Application  
1-1/2 or 3 Hour, 3V Blade, UL-Classified

### Application:

The CVS-SAFE4 model FD-MB-3V-OW(M) is a motorised multi-blade fire damper with 3V style blades intended for installation outside the plane of a wall or floor. The FD-MB-3V-OW(M) is used to prevent the spread of fire through a penetration in a fire rated barrier made by an HVAC duct or transfer. The FD-MB-3V-OW(M) can be installed vertically (with blades running horizontally) or horizontally. The FD-MB-3V-OW(M) can be installed in static or dynamic systems up to the allowable tested pressures and velocities below.



### LISTINGS:

UL 555 Listing: R27700(UAE), R41135(KSA), R40068(Qatar), R41122(Egypt)

### STANDARDS MET:

NFPA Standards: 80, 90A, 92A, 92B and 101

Building Code Standard:

ICC International Building Code

### Standard Construction:

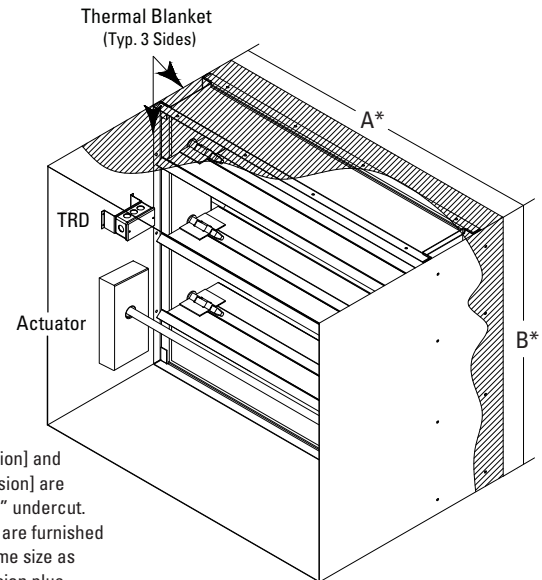
	Standard	Optional
<b>Frame Material</b>	20 Gauge (1) Galv. Roll-Formed Steel hat section w/ staked corners for integral bracing	-----
<b>Blade Material and Type</b>	16 Gauge (1.5) "3V" Galv. Roll-Formed Steel	Airfoil Galv. Steel (see Model FD-MB-AF-OW (M))
<b>Blade Sizes</b>	Min. width of 4.25" (108) to max. width of 7.25" (184)	-----
<b>Frame Depth</b>	5" (127)	-----
<b>Dimensions</b>	Actual - 1/4" (6)	Actual
<b>Axle Bearings</b>	Bronze Oilite (press fit into frame)	-----
<b>Axle Material</b>	Plated Steel	-----
<b>Linkage</b>	.125" (3.2) plated steel, Concealed in Frame	-----
<b>Sleeve</b>	16" x 20 gauge (406x1) galvanized steel	Wide variety of gauges and lengths available
<b>Thermal Blanket</b>	0.25" (6) thick thermal blanket 3 sides for vertical and 4 sides for horizontal applications	-----
<b>Heat Responsive Device</b>	Electric thermostat 165°F (74°C)	212°F (100°C)
<b>Blade Operator</b>	Motorised	Manual quadrant (see Model FDD-MB-3V-OW)
<b>UL Hour Rating</b>	1-1/2 Hours	3 Hours

All dimensions shown in inches, parentheses ( ) indicate millimeters.

### Minimum & Maximum Sizes:

Multi-Blade Model	Minimum Size		Max. Single Section		Max. Multi-Section	
	1.5 Hour	3 Hour	1.5 Hour	3 Hour	1.5 Hour	3 Hour
FD-MB-3V-OW(M) (Vertical)	6x6 (152x152)		36x48 (914x1219)		108x96 (2743x2438)	72x48 (1829x1219)
FD-MB-3V-OW(M) (Horizontal)					72x48 (1829x1219)	72x48 (1829x1219)

All dimensions shown in inches, parentheses ( ) indicate millimeters.



\*Width [A dimension] and \*Height [B Dimension] are approximately 1/4" undercut. Sleeved dampers are furnished approximately same size as given duct dimension plus 0.25" (6) for insulation.

### Optional Construction:

#### Auxiliary Switch

Add to Actuator (recommended)      Add to Damper (STO/R)

#### Momentary Test Switch

DTO/R Dual Thermostat Override w/ Dual Position Indicator Switches

Temp: 165°/250°    165°/350°    212°/350°

#### Factory Installed Sleeve:

Length: \_\_\_\_\_ (Std. 16" [406])

Gauge: 20 (1.0)    18 (1.2)    16 (1.5)    14 (2.0)    10 (3.5)

#### Framed Retaining Angles (FRA)

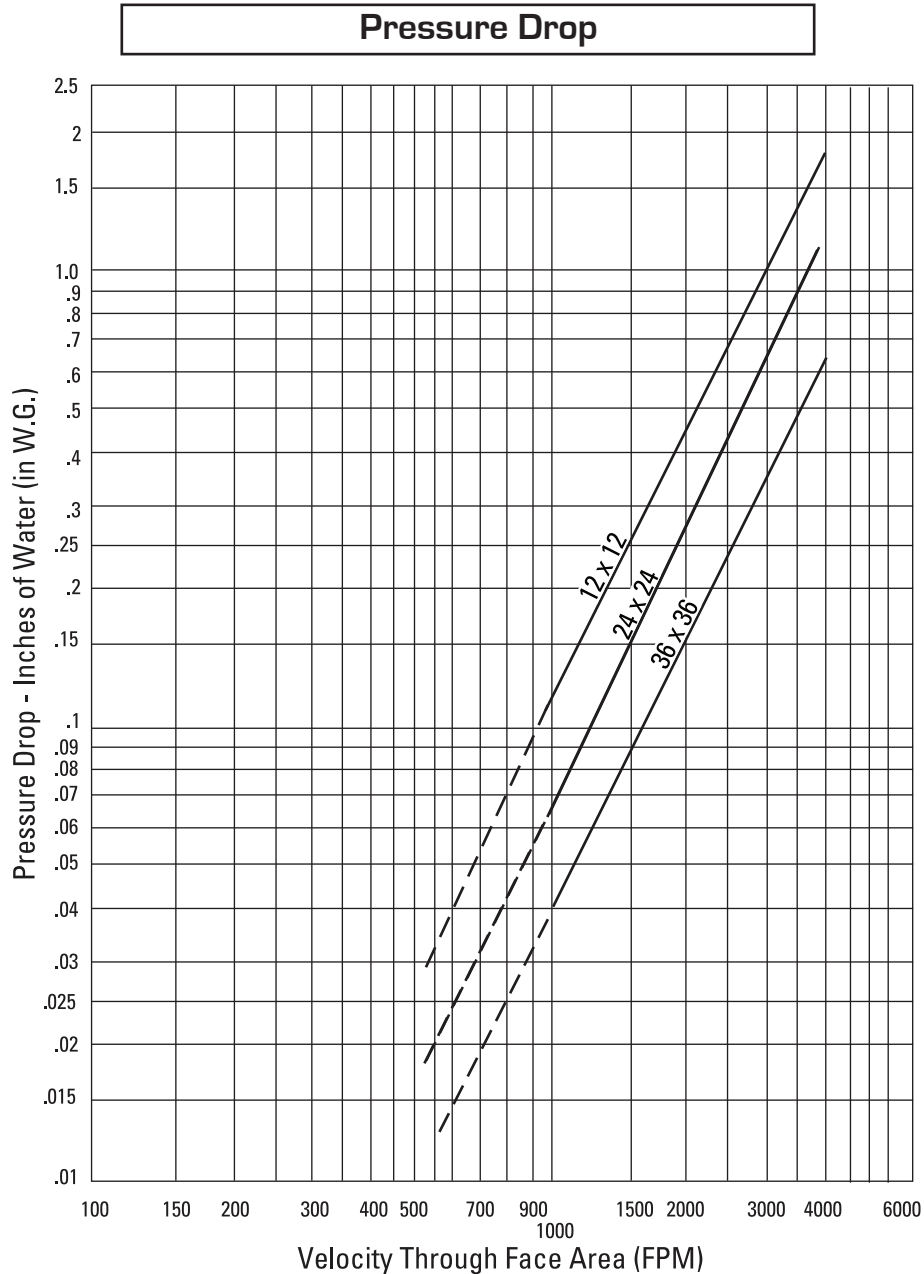
1-Side    2-Sides

#### Remote Control Box

RCB-1    RCB-2    RCB-3

#### Actuators (Refer to UL Damper Actuator Reference Chart)

Type: Electric: Model # \_\_\_\_\_      Pneumatic: Model # \_\_\_\_\_



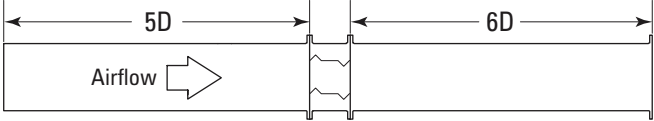
**To determine pressure drop:**

1. Locate the applicable face velocity on the bottom of the chart.
2. Move up the chart to the most appropriate size damper line.
3. From the intersection point, move left to determine the pressure drop.

**AMCA Figure 5.3 - Ducted Inlet and Outlet**

Pressure drop testing was performed by an independent laboratory to the AMCA Standard 500-D, Fig. 5.3 (ductwork upstream and downstream).

**Note:**  
Pressure Drop data reflects damper face area only and does not take into account internally mounted actuator.



**Actuator Requirements:**

Factory mounted actuators vary by dampersize and velocity, pressure and temperature ratings. Consult Motor/Actuator sheet for UL Products for current offering.

All electric actuators will be factory wired to a single heat-responsive device. *The default heat-responsive device is a resettable thermostat that interrupts power to the actuator allowing for controlled closure.*

If pneumatic actuators are employed, all will be plumbed to a common PFV (Pneumatic Fusible Valve). The PFV is used in conjunction with a restrictor valve to also provide controlled closure.

**Sleeve Requirements:**

**Sleeve must be installed at the factory for out of wall/floor products.** As with all fire rated damper installations, the sleeve must fully penetrate the wall/floor being protected.

Sleeve length is dependent upon damper height, grille depth (including OBD) and actuator selection:

- Standard clearance allowance for grille inset is 3" (76).
- Maximum sleeve length is 16"(406) plus the total wall depth.

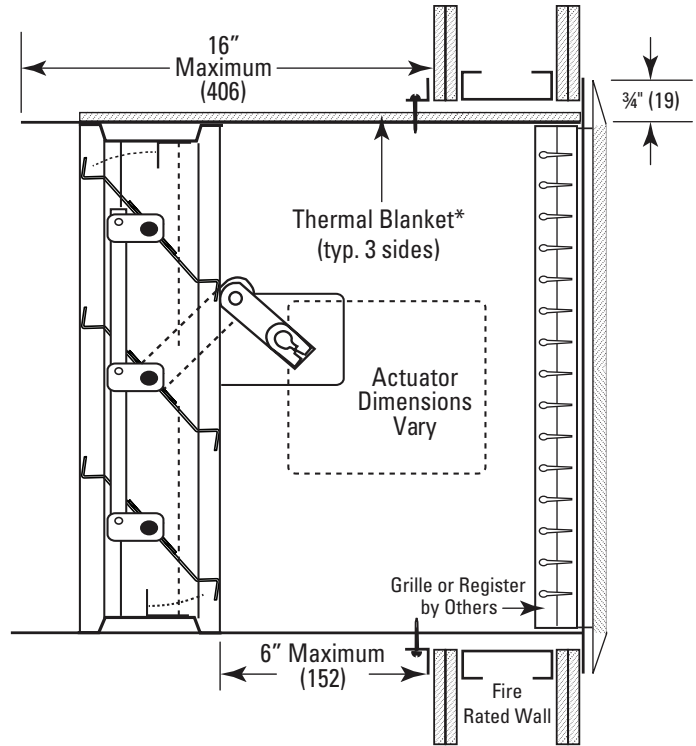
Flange must be on top of barrier in horizontal installations.

**Thermal Requirements:**

A factory installed thermal blanket is provided on three sides (bottom excluded) for dampers ordered for vertical installation and on all four sides for dampers ordered for horizontal installation.

Due to the nature of the application for Out-of-Wall and Out-of-Floor Fire dampers, a 0.25" (6) thermal blanket is installed around the sleeve at the factory.

**This insulation is required as part of the UL Listing of the out of wall/out of floor assembly and must not be removed.**



\*Thermal Blanket provided 3 sides for Vertical and 4 sides for Horizontal.

