

Reference:

Client:

Project:

Consultant:

Location:

Contractor:

Date:

Submitted by:



Manufacturing Excellence

Model FD-SL-OW

Slimline Out-of-Wall
Static Curtain Fire Damper
1-1/2 Hour, UL555 Classified

Application:

The CVS-SAFE4 model FD-SL-OW fire damper utilizes a curtain style blade to prevent the spread of fire through a penetration in a fire rated barrier made by a HVAC duct or transfer. The FD-SL-OW is meant for when something prevents the fire damper from being within the plane of the wall/floor (such as a grille). The FD-SL-OW can be installed vertically or horizontally and is meant for static HVAC systems (fans turn off in a fire) only.



LISTINGS:

UL 555 Listing: R27700(UAE), R41135(KSA), R40068(Qatar), R41122(Egypt)

STANDARDS MET:

NFPA Standards: 80, 90A, 92A, 92B and 101

Building Code Standard:

ICC International Building Code

Standard Construction:

	Standard	Optional
Frame Material	22 Gauge Galvanized Roll-formed Steel	-----
Blade Material and Type	22 Gauge Galvanized Roll-formed Steel	-----
Sleeve Material	12" long 20 Gauge Galv. Steel Sleeve wrapped in Thermal Blanket	Various Gauges & Sleeve Lengths Available
Thermal Blanket	0.25" (6) thick thermal blanket 3 sides for vertical and 4 sides for horizontal applications	-----
Frame Depth	2-3/8" (55)	-----
Dimensions	Actual - 1/4" (6)	Actual
Closure Spring	Stainless Steel (Horizontal)	Stainless Steel (Vertical)
Fusible Link	165° (74°C)	212° (100°C)
Mounting	Vertical	Horizontal
UL Hour Rating	1-1/2 Hour	-----

All dimensions shown in inches, parentheses () indicate millimeters.

Optional Construction:

212° Fusible Link

Factory Installed External Sleeve:

Length: 12 (305) 16 (406) 24 (610) Other: _____

Gauge: 20 (1.0) 18 (1.2) 16 (1.5) 14 (2.0) 10 (3.5)

Location in Sleeve: Standard Offset: _____

Framed Retaining Angles - 16 ga. x 1 1/2 x 1 1/2 (1.5x38x38)

Single Side Dual Side

Transitions (see next pages)

Type B Type C

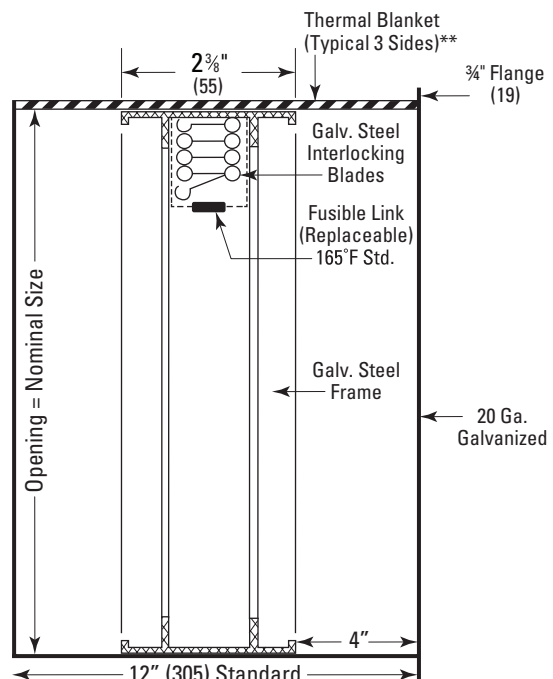
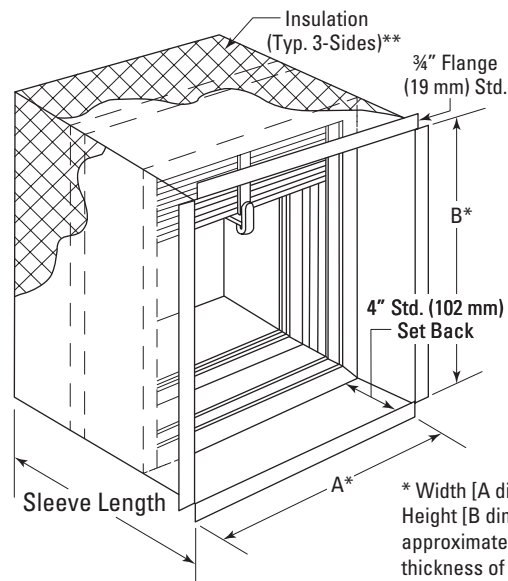
Other Options:

- Dynamic models (see Model FDD-OW)
- True Round models (see Model FD-RD)

Special Notes:

- The damper assembly can be installed from one side of the wall or floor and does not require retaining angles
- The fire damper, insulation and sleeve MUST be ordered from the factory as an assembly

**Typical 3 sides for vertical mount (shown) and typical 4 sides for horizontal mount



As part of our continuous improvement program, we reserve the right to make further improvements without notice.

Submittal

Type A Static Curtain Fire Damper

- For use in static HVAC systems (fans off)
- Frame and blade stack in air stream
- Approximately 75-85% Free Area
- Sleeve and insulation are factory installed
- 1-1/2 Hour Fire Rated

FD-SL-OW-A Minimum & Maximum Sizes:

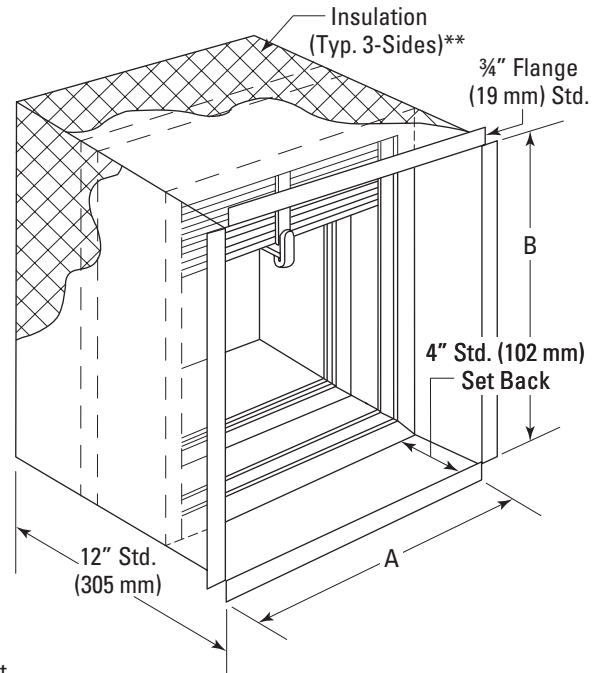
Type A Model	Minimum Size	Max. Single Section
	1.5 Hour	1.5 Hour
FD-SL-OW-A (Vertical)	4 x 4 (102 x 102)	36 x 48 (914 x 1219)
FD-SL-OW-A (Horizontal)		

All dimensions shown in inches, parentheses () indicate millimeters.

A Dimension = Duct Width

B Dimension = Duct Height

**Insulation provided on 3 sides for vertical mount, and 4 sides for horizontal mount



Type B Static Curtain Fire Damper

- For use in static HVAC systems (fans off)
- Blade stack out of airstream
- Approximately 80-90% Free Area
- Sleeve and insulation are factory installed
- 1-1/2 Hour Fire Rated

FD-SL-OW-B Minimum & Maximum Sizes:

Type B Model	Minimum Size	Max. Single Section
	1.5 Hour	1.5 Hour
FD-SL-OW-B (Vertical)	4 x 3 (102 x 76)	36 x 43 (914 x 1092)
FD-SL-OW-B (Horizontal)		

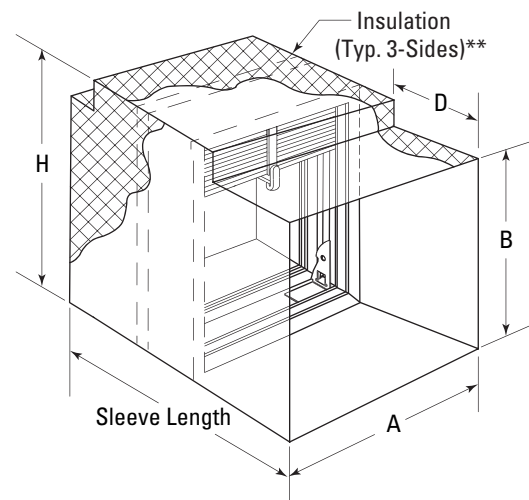
A Dimension = Duct Width

B Dimension = Duct Height

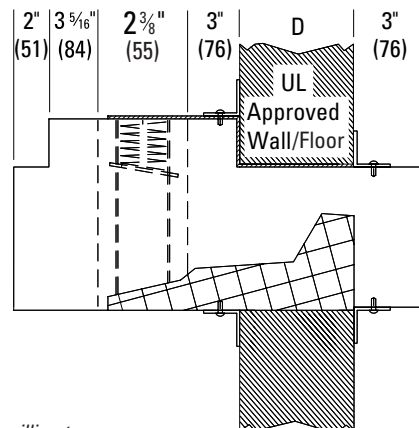
D Dimension = UL Wall Width

H Dimension = Overall Damper Height

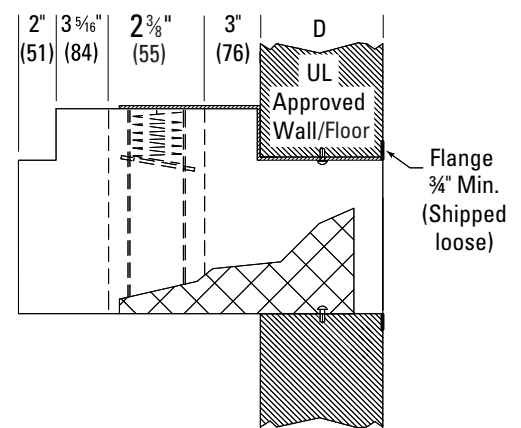
**Insulation provided on 3 sides for vertical mount, and 4 sides for horizontal mount



Continuous Duct



Grille Mount



All dimensions shown in inches, parentheses () indicate millimeters.

As part of our continuous improvement program, we reserve the right to make further improvements without notice.

Submittal

Type C Static Curtain Fire Damper

- For use in static HVAC systems (fans off)
- Frame and blade stack out of airstream
- Approximately 95-100% Free Area
- Sleeve and insulation are factory installed
- 1-1/2 Hour Fire Rated

FD-SL-OW-C Minimum & Maximum Sizes:

Type C Model	Minimum Size	Max. Single Section
	1.5 Hour	1.5 Hour
FD-SL-OW-C (Vertical)	3 x 3 (76 x 76)	36 x 42 (914 x 1067)
FD-SL-OW-C (Horizontal)		

A Dimension = Duct Width

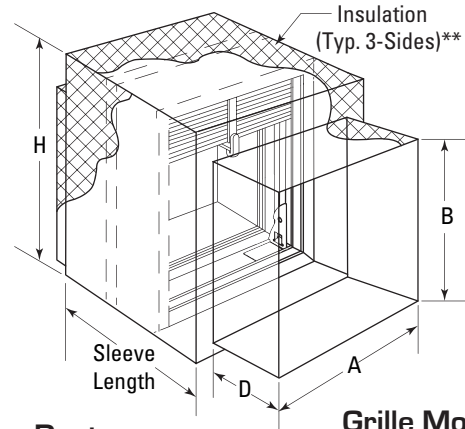
B Dimension = Duct Height

D Dimension = UL Wall/Floor Width

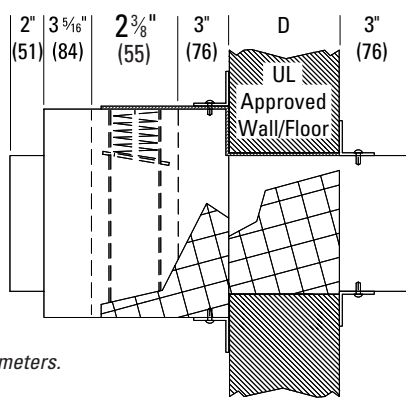
H Dimension = Overall Damper Height

**Insulation provided on 3 sides for vertical mount, and 4 sides for horizontal mount

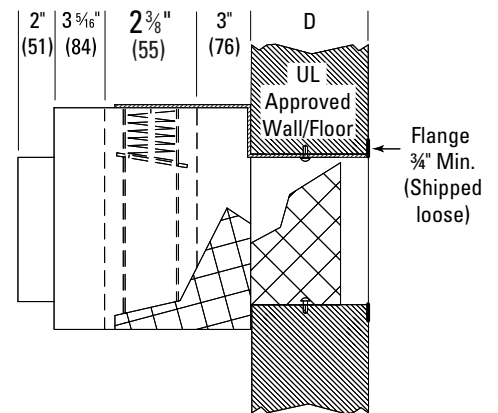
All dimensions shown in inches, parentheses () indicate millimeters.



Continuous Duct



Grille Mount



Type SL-OW-B & SL-OW-C Size Charts

Duct Height (B)	Type SL-OW-B Damper Height (H)
Inches	Inches
3	5
4	6
5	7
6	8
7	9
8	10
9	11
10	12
11	13
12	14
13	15
14	16
15	17
16	18
17	19
18	20
19	21
20	22
21	24

22	25
23	26
24	27
25	28
26	29
27	30
28	31
29	32
30	33
31	34
32	35
33	37
34	38
35	39
36	40
37	41
38	42
39	43
40	44
41	45
42	46
43	48

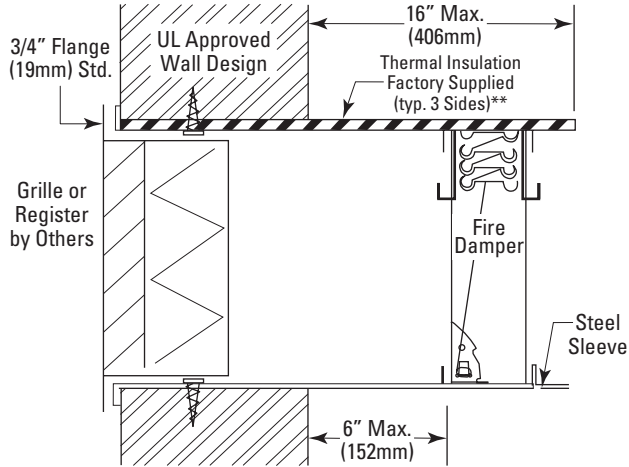
Duct Height (B)	Type SL-OW-C Damper Height (H)
Inches	Inches
3	6
4	7
5	8
6	9
7	10
8	11
9	12
10	13
11	14
12	15
13	16
14	17
15	18
16	19
17	20
18	21
19	22
20	23
21	25

22	26
23	27
24	28
25	29
26	30
27	31
28	32
29	33
30	34
31	35
32	37
33	38
34	39
35	40
36	41
37	42
38	43
39	44
40	45
41	46
42	47

Model FD-SL-OW Typical Application

**Vertical Application
(Slimline Out-of-Wall)**

**Grille Mount
with "-OW" Damper**



**Horizontal Application
(Slimline Out-of-Floor)**

**Grille Mount
with "-OW" Damper**

