

Reference:

Client:

Project:

Consultant:

Location:

Contractor:

Date:

Submitted by:



Manufacturing Excellence

Model FDD-MB-3V

Manual Quadrant Dynamic Fire Damper
3V Blade

1-1/2 or 3 Hour, UL555 Classified

Application:

The CVS-SAFE4 model FDD-MB-3V is a multi-blade fire damper with 3V style blades. The FDD-MB-3V is used to prevent the spread of fire through a penetration in a fire rated barrier made by an HVAC duct or transfer. The FDD-MB-3V can be installed vertically (with blades running horizontally) or horizontally. The FDD-MB-3V is intended to be installed in dynamic systems (fans stay on in a fire) and also can be installed in static systems (fans shut off in a fire). This model is most commonly used when required sizes exceed CVS's UL listing for the CVS Model FDD (dynamic curtain style fire damper). Refer to the Maximum and Minimum Size table on this page.

MAXIMUM VELOCITY: 2000 fpm (10.2 m/s)

MAXIMUM PRESSURE: 4" wg (1kPa)

Standard Construction:

	Standard	Optional
Frame Material	20 gauge (1) Ga. Roll-Formed Steel hat section w/ staked corners for integral bracing	-----
Blade Material and Type	16 Gauge (1.5) "3V" Ga. Roll-Formed Galv. Steel	Airfoil Galv. Steel (see Model FDD-MB-AF)
Blade Sizes	Min. width of 4.25" (108) to max. width of 7.25" (184)	-----
Frame Depth	5" (127)	-----
Dimensions	Actual - 1/4" (6)	Actual
Axle Bearings	Bronze Oilite (press fit into frame)	-----
Axle Material	Square, Plated Steel	-----
Linkage	.125" (3.2) plated steel, Concealed in Frame	-----
Side Plate	20 gauge side plate at one side only.	Wide variety of gauges and lengths available
Heat Responsive Device	UL Listed Fusible Link 165° (74°C)	UL Listed Fusible Link 212° (100°C)
UL Hourly Fire Rating	1-1/2 Hour	3 Hour
Blade Operator	Manual Quadrant	Motorised [see Model FDD-MB-3V (M)]

Minimum & Maximum Sizes:

Multi-Blade Model	Minimum Size		Max. Single Section	
	1.5 Hour	3 Hour	1.5 Hour	3 Hour
FDD-MB-3V (Vertical)	6x6 (152x152)		36x48 (914x1219)	
FDD-MB-3V (Horizontal)				

All dimensions shown in inches, parentheses () indicate millimeters.

Consult CVS for Other Special Requirements.



LISTINGS:

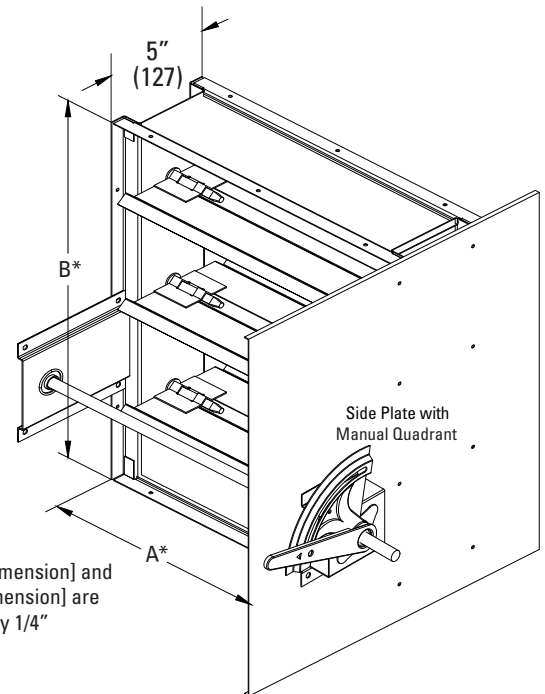
UL 555 Listing: R27700(UAE), R41135(KSA), R40068(Qatar), R41122(Egypt)

STANDARDS MET:

NFPA Standards: 80, 90A, 92A, 92B and 101

Building Code Standard:

ICC International Building Code



* Width [A dimension] and Height [B dimension] are approximately 1/4" (6) undercut.

Optional Construction:

Factory Installed Sleeve

Gauge: 20 (1.0) 18 (1.2) 16 (1.5) 14 (2.0) 10 (3.5)

Length: _____ (16" (406) std.)

Flanged sleeve (requires factory installed external sleeve)

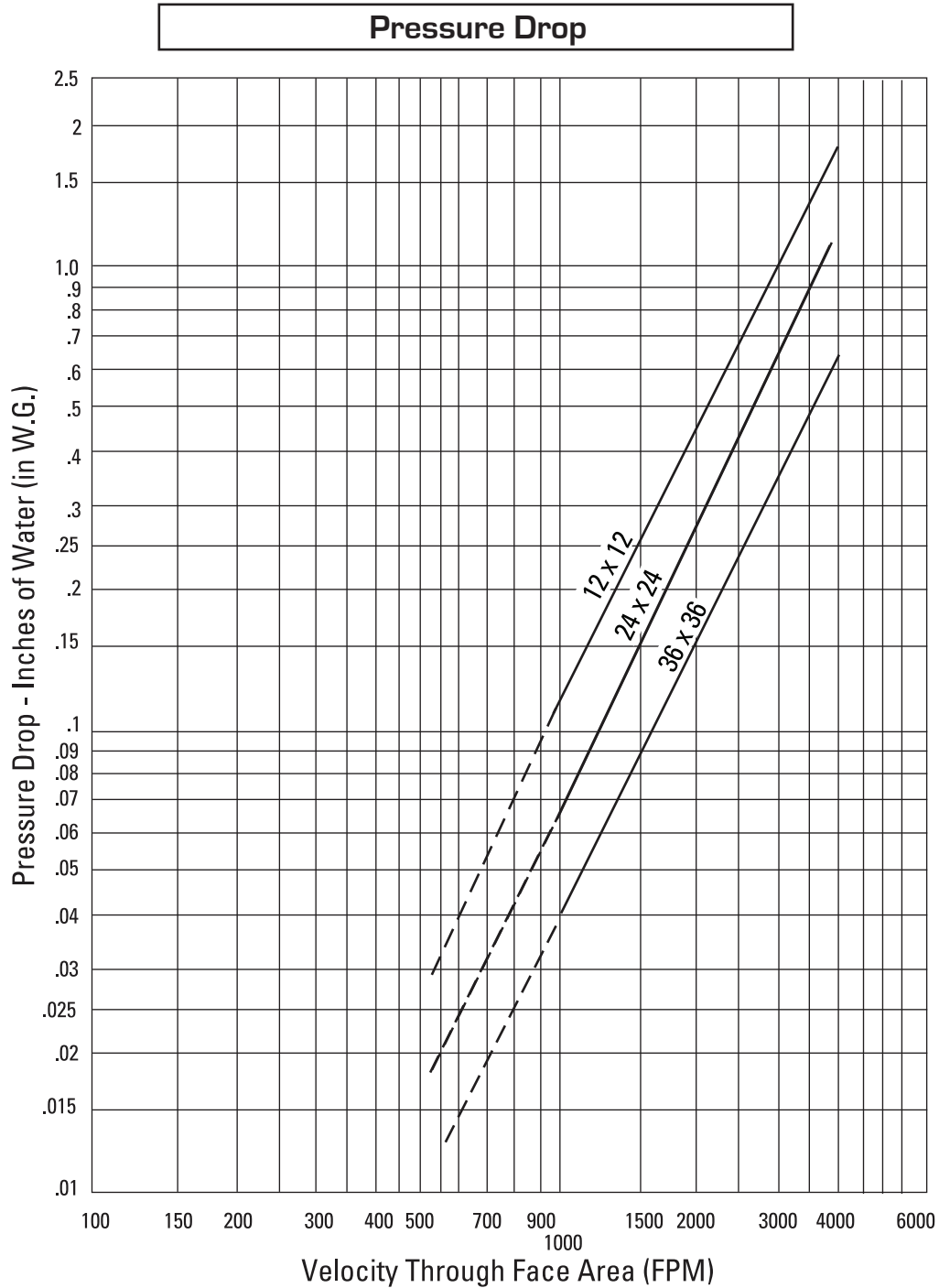
3/4" (19) 1" (25)

Framed Retaining Angles: 16ga. x 1-1/2" x 1-1/2" (1.5 x 38 x 38)

Single Side Dual Side

Other Options:

- Static models (see Model FD-MB-3V)
- Out-of-Wall models (see Model FDD-OW)
- True Round models (see Model FDD-RD)

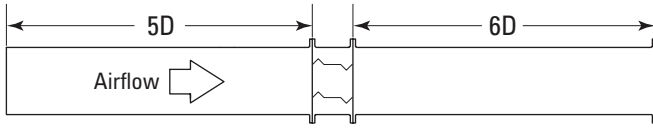


To determine pressure drop:

1. Locate the applicable face velocity on the bottom of the chart.
2. Move up the chart to the most appropriate size damper line.
3. From the intersection point, move left to determine the pressure drop.

AMCA Figure 5.3 - Ducted Inlet and Outlet

Pressure drop testing was performed by an independent laboratory to the AMCA Standard 500-D, Fig. 5.3 (ductwork upstream and downstream).



Sleeve Requirements:

Standard suggested sleeve depth is 16" (406), which is appropriate for use with up to a 6" deep (152) wall/floor and 2-sided mounting angle installation. (See Detail to the right).

When wall/floor thickness exceeds 6" (152), **add 1" (25) for each additional inch of wall thickness** to ensure sleeve fully penetrates the wall/floor. Each additional 1" (25) added will be added to the non-actuator side.

The damper may be installed/rotated 180° as long as the blades run horizontally.

The top of the damper is either side of the frame as long as the blades are running horizontally.

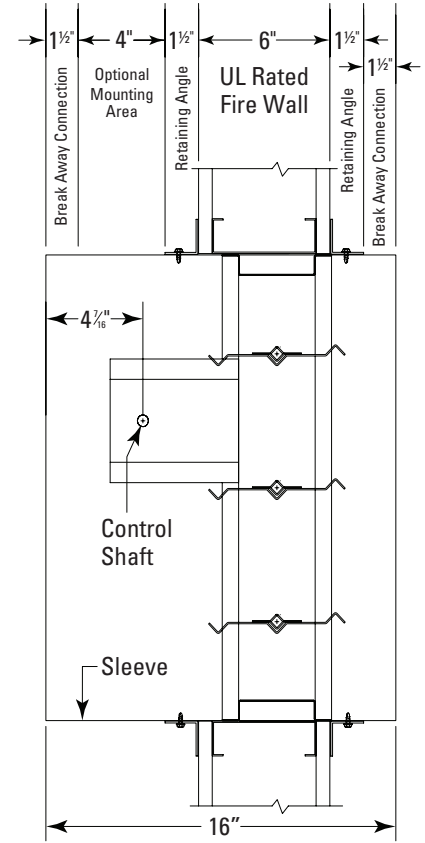
Damper is not approved for installation with the blades running vertically.

The entire damper frame does not have to be installed in the plane of the wall/floor.

The requirement is that the blade closure line (the center line of the 5" (127) damper frame) must be within the plane of the fire-rated wall/floor.

Typical Sleeve Lengths

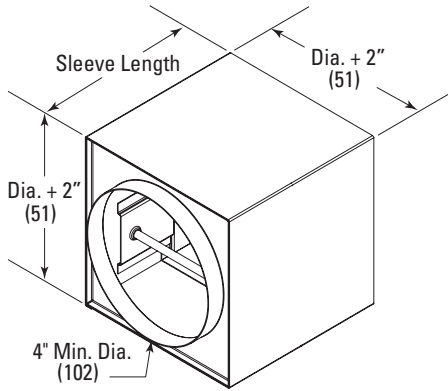
Wall Thickness	Min. Sleeve Length
6 (152)	16 (406)
8 (203)	18 (457)
12 (305)	22 (559)
16 (406)	24 (610)



Sleeve Detail for Factory Mounted Sleeve

Duct Connections/Sleeve Transitions:

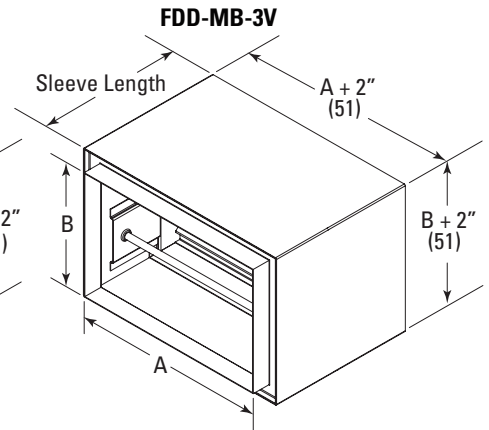
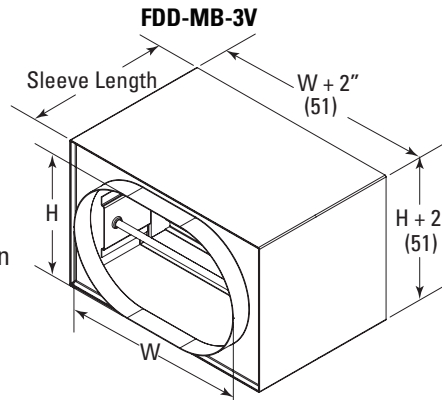
FDD-MB-3V



Square to Round transitions attached on both ends of the damper sleeve. Product is ordered on duct Diameter; damper will be fabricated 2" (51) larger in width and height. Collar extends 1.25" (32) beyond the sleeve length.

- **Minimum 4" (102) diameter, Maximum 46" (1168) diameter for Vertical and Horizontal 1.5 Hour mount and 3 Hour mount .**

Rectangular to Oval or Square/Rectangular to Square/Rectangular transitions attached on both ends of the damper sleeve. Product is ordered on width and height of duct connection required; damper will be fabricated 2" (51) larger in width and height. Collar extends 1.25" (32) beyond the sleeve length.



- **Minimum 4" w x 4" h (102 x 102), Maximum 34" w x 46" h (864 x 1168) for Vertical and Horizontal 1.5 Hour mount and 3 Hour mount.**

A= Duct Width
B= Duct Height