

Reference: Client:  
 Project: Consultant:  
 Location: Contractor:  
 Date: Submitted by:



**Model SSD-RD-202**  
 True Round Smoke Damper  
 Class 2, UL-Classified  
 (Class II is < 20 cfm per sq. ft. @ 4" w.g.)

**Application:**

The CVS-SAFE4 model SSD-RD-202 is a True Round Class 2 leakage rated Smoke Damper (tested per UL 555S). The SSD-RD-202 has been qualified to 2,000 FPM and 4" w.g. for smoke control applications. The SSD-RD-202 is rated for airflow and leakage in either direction.

**MAXIMUM VELOCITY:** 2000 fpm (10.2 m/s)  
**MAXIMUM PRESSURE:** 4" w.g. (1kPa)

**Standard Construction:**

	Standard	Optional
<b>Frame Material</b>	20 Gauge (1) Galvanized Steel Integral Sleeve	-----
<b>Blade Material</b>	Double Thickness Galv. Steel, equivalent to 18 gauge (1.2) with welded channel reinforcement	-----
<b>Frame Depth</b>	16" (406)	20" (508) or 24" (610)
<b>Dimensions</b>	Actual - 1/8" (3)	Actual
<b>Axle Bearings</b>	Bronze Oilite (press fit into frame)	-----
<b>Axle Material</b>	3/8" (10) Square, Plated Steel	-----
<b>Jackshaft</b>	1/2" (13) diameter plated steel	-----
<b>Seals</b>	Pressure sensitive 450°F (232°C) silicone sandwiched between blades	-----
<b>Linkage</b>	Jackshaft to blade	-----
<b>Operating Temp.</b>	350° (177°C)	-----
<b>Retaining Plates</b>	Two 20 gauge (1) galv. steel completed with angle clips	-----
<b>Leakage Class Rating</b>	Class 2	Class 1(see Model SD-RD-201)

All dimensions shown in inches, parentheses ( ) indicate millimeters.

**Minimum and Maximum Sizes:**

SSD-RD-202	Minimum Size (WxH)	Maximum Size (WxH)
<b>Vertical (Wall) or Horizontal (Floor)</b>	8" dia. (203)	24" dia. (610)

All dimensions shown in inches, parentheses ( ) indicate millimeters.

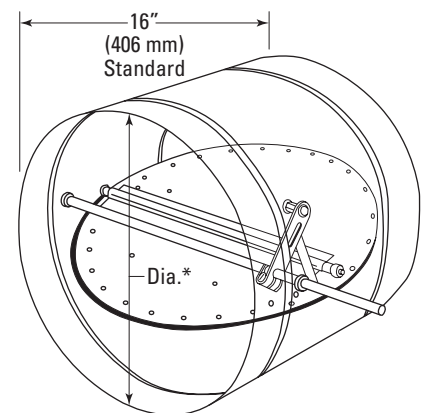


**LISTINGS:**

UL Listing: R27700(UAE), R41135(KSA), R40068(Qatar), R41122(Egypt)

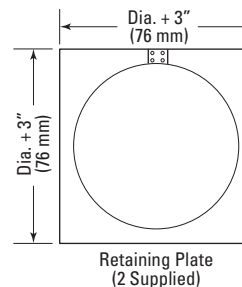
**STANDARDS MET:**

NFPA Standards: 92A, 92B, 101 & 105  
 Building Code Standard:  
 ICC International Building Code



\*Diameter of Damper will be furnished approximately 1/8" (3) undercut.

**Included Mounting Accessories**



Retaining Plate (2 Supplied)

**Note:** Retaining Plate on Operator Side of damper is installed at the factory.

**Optional Construction:**

**Remote Control Box**

RCB-1 RCB-2 RCB-3

**Smoke Detector**

Factory Mounted Shipped Loose

**Actuators (refer to UL Damper Actuator Reference Chart)**

Electric (model #): \_\_\_\_\_ Pneumatic (model #): \_\_\_\_\_

**Actuator Location**

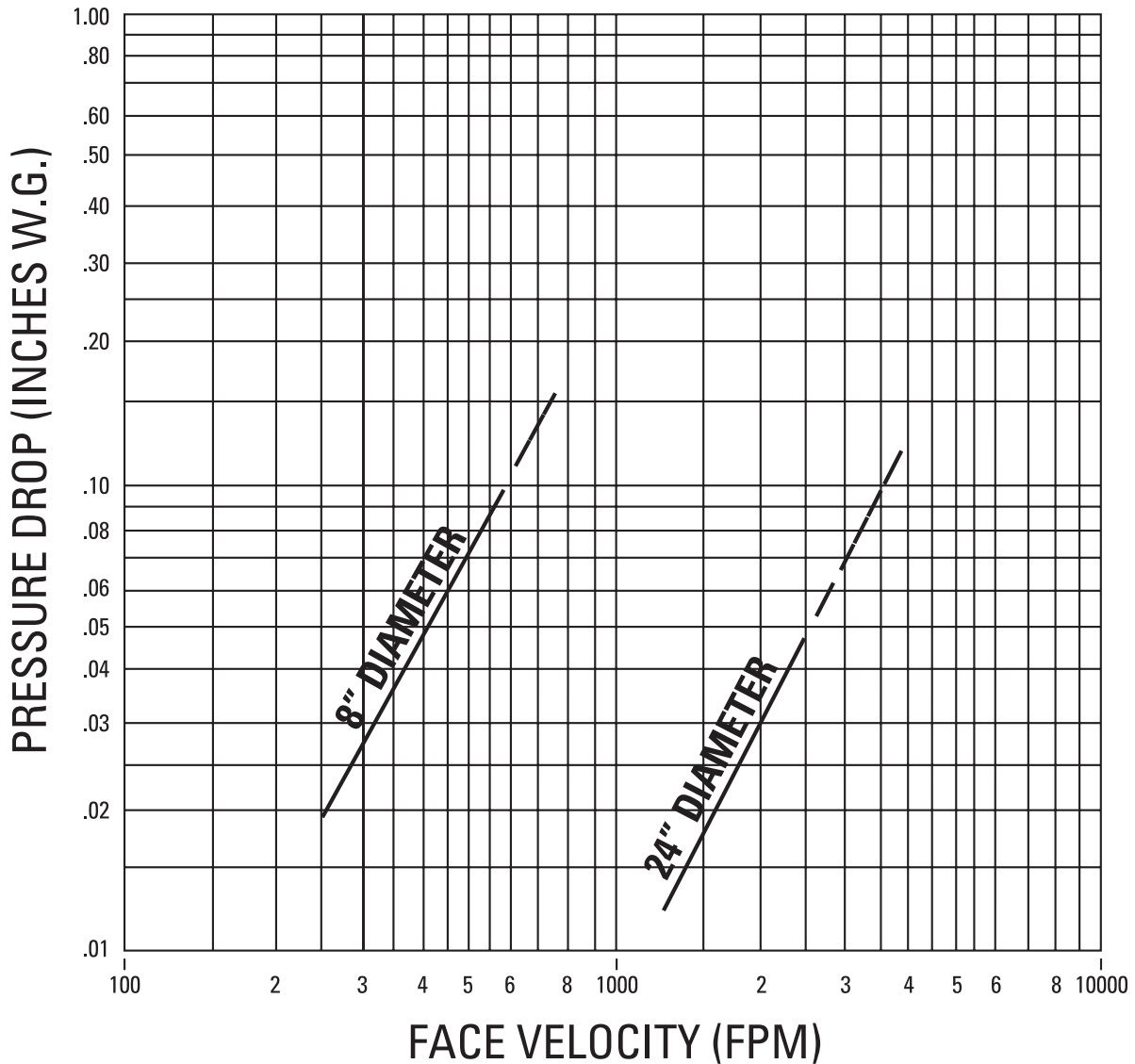
Right External (std) Left External Internal

**Auxiliary Switch**

Add to Actuator (std.) Add to Damper (switch package)

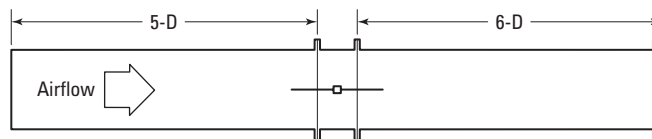
**Momentary Test Switch**

**Pressure Drop**



Pressure drop testing was performed by an independent laboratory to the AMCA Standard 500-D, Fig. 5.3 (ductwork upstream and downstream).

**AMCA Figure 5.3 - Ducted Inlet and Outlet**



Illustrates a fully ducted damper. This configuration has the lowest pressure drop of the three test configurations because entrance and exit losses are minimized by straight duct runs upstream and downstream of the damper.

### Actuator Requirements:

**UL555S requires that all leakage rated dampers be provided with factory mounted actuators.** Available actuators vary by damper size and velocity, pressure and temperature ratings. Consult Motor/Actuator sheet for UL Products for current offering.

If pneumatic actuators are employed, the actuator will be plumbed to a PFV (Pneumatic Fusible Valve). The PFV is used in conjunction with a restrictor valve to also provide controlled closure.

### Sleeve Requirements:

Standard sleeve depth is 16" (406), which is appropriate for use with up to a 5" deep (127) wall/floor and 2-sided mounting angle installation. (See Detail to the right).

When the wall/floor thickness exceeds 5" (127), the SSD-RD-202 can be ordered with an integral sleeve of 20" (508) or 24" (610) to accommodate the thicker wall/floor.

The actuator is always externally installed on the right-hand of the damper when viewed from the jackshaft side. **The damper may be installed/rotated 180°** such that the actuator will be located on the left hand side.

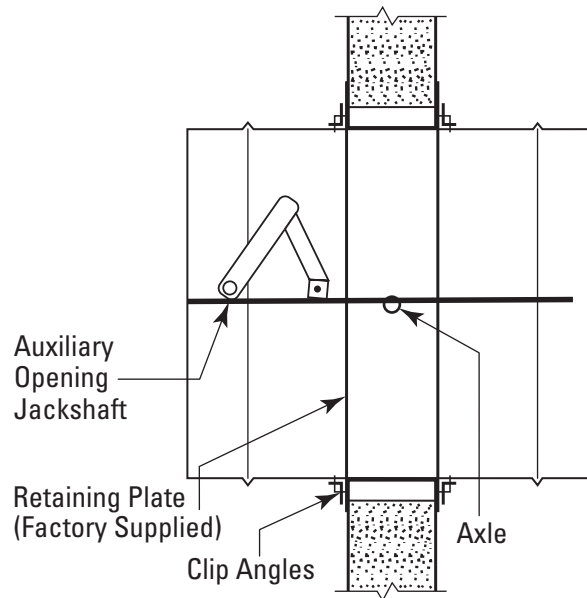
The blade closure line must be within the plane of the fire-rated wall/floor.

### SSD-RD-202 Notes:

- Dampers are furnished approximately 1/8" undersized.
- The SSD-RD-202 can only be provided with externally mounted actuators.

### Applicable CVS Literature:

- Smoke Damper Installation, Operation and Maintenance (IOM)
- Optional Sealing of Dampers in Fire and Smoke Rated Walls or Floors
- Installing the Smoke Detector
- Field Modification of Factory Supplied Sleeves



### Clearance Requirements

